



DUST COVER
RECEIVER
MAGAZINE
RIP BOLT
GAS TUBE
RETAINING PIN
GAS BLOCK
REAR SIGHT
BLOCK
FOREND CAP
UPPER HANDGUARD
FOREND
LOWER HANDGUARD
GAS TUBE
FRONT
SIGHT BLOC

**Crafting Precision
Built to last, designed to perform.**



MTK® Crafting Precision

MTK®, named after one of the greatest inventors of all time Mikhail Timofeevich Kalashnikov, has been serving the European market since 2010. Our manufacturing facilities are located in Italy, and we focus primarily on accessories for Soviet/Russian firearms, such as AK, SVD and SKS. In the past years production has been extended to the AR15 platform, 1911 handgun and CZ Shadow components. All items for Russian firearms are based on original Izhmash factory blueprints (mil-spec). In 2024 MTK USA was created to properly serve the US market and clients. MTK® merges state-of-the-art production, engineering, innovative design, well-known Italian firearms tradition and the legendary Russian reliability. This makes MTK® accessories and components unique, ergonomic, aesthetically appealing, but at the same time durable and made to work hard in any condition.

Global Reach

Strategically located few miles away from Milan cargo airport, MTK® is owned by Aurora International having a long-standing history in distributing firearms and accessories. Its extensive experience allowed to establish strategic partnerships with renowned manufacturers such as the Izhmash factory itself (suspended due to sanctions).

Custom Solutions

Beyond our standard product line, we also offer comprehensive OEM services, tailoring our products to meet manufacturers and distributors specific needs.

Materials

Alluminum: only certified aerospace alloys made in Italy (same supplier with Italian F35 factory). Mainly 6082T6 or 7075T6 depending on technical requirements. Steel: as above! C45, 4140, 440C and 17.4-PH steel, depending on the technical requirements Wood: all components are made from Grade 3 Italian walnut (AA+/AAAA range is possible). In addition, MTK® is the only one in EU producing luxury grips in quebracho colorado*, the hardest wood in the world (up to 2,5 harder than mahogany). Grips, handguards and stocks are CNC machined from solid blocks of wood. Walnut is our standard but also hi-tech multilayers is used. Rare exotic wood like quebracho colorado* is used for luxury 1911 grips as well as G10 polymer for 1911 and CZ competition/tactical grips. Other components are all CNC machined from steel or aluminum alloys. DMT (Dual Metal Technology®) is used to reduce overall weight, but to retain strength and reliability.

*Quebracho colorado (quebracho means that break the axe) is one of the hardest woods of the planet, its cut has been banned since 1959 and it's a limitless duration. Our stock is made by seats of an Argentinian stadium ca. 150 years old. It's totally waterproof and it's polished as metal (sandpaper up to 2500 grit). It's extremely rare.

Coating

Wood is hand polished and coated with our proprietary mixture of linseed and tung oil by undergoing our exclusive high pressure and vacuum stabilization saturation process. Wood can be left natural or stained "tactical black" color, our exclusive process to make solid wood black. This process does not modify the unique characteristics of wood for which it is loved (no polymer can provide the same aesthetics and performance as wood). We, at MTK®, trust that this type of traditional coating is still the best and the most durable, and with proper maintenance, it will last a lifetime. Aluminum is always hard anodized while steel can be blued, cerakoted or, if required, carbonitriding is applied.

Company values

Our mission is providing our customers with top quality products born from our personal passion and our long-time experience. Our commitment is manufacturing a craftsmanship level product, maximizing the clients' value for money, by using innovative and smart technologies. This sets us apart in the industry. MTK® is a family business based on solid tradition.

You can reach us:

USA www.mtkusa.net

EU www.mtkclub.eu

AK MODERNIZATION

Modern tactical rifles need to be equipped with proper devices (red dots, collimators, lights, bipods, front grips, etc). Until RU AK12/15/19 -series, AKs were not properly designed for that. The optic side mount (if any) is bulky or requires expensive dedicated optics.

Current RU AKs are equipped with native picatinny rails for an endless range of devices. MTK® modernization kit is designed to align the earlier AK models with the latest RU AK12/15/19 functionalities.

Modernization kit includes dust cover, handguard and a variety of stocks (fixed or foldable). The field assembly/disassembly of MTK® dust cover and forend is the same as the originals and they do not need screws, various mechanisms or tools. Thanks to DMT® (Dual Metal Technology) strength and durability are as good as with the original parts. Handguard has 6 MLOK slots available.



RU AK74M



RU AK19



RU AK74M with MTK® Modernization kit

COMPATIBILITY:

MTK® components are designed to the exact Russian mil-spec dimensions (Kalashnikov - Izhevsk factory) so they are generally compatible with most of Eastern European versions of the AK with stamped receivers, as well as the Chinese Type-56 and current production Norinco/SDM. Minor fitting may be required due to tolerances. No firearm modification is required, field disassembly as the original.

MATERIALS:

The steel parts are made from phosphate finished carbon steel. Rails, assembly components, stocks, etc. are CNC machined from aluminum and hard anodized. The "Jungle version" is painted (high-performance thermo-hardening resin) while the "Marine version" is made from stainless steel.



WG-Railed Dustcover

DUST COVER

it fits from AKM series to RU AK200 series and any Saiga. Made with dual-metal technology, it has a phosphated steel casing while the picatinny rail and supports are in ergal. Assembling like the original, it's very stable. Picatinny for sake of rigidity picatinny may accept mounts with single anti-slip stop. Gas block versions:

Fm AK47 to AKM (including western Europe and Chinese) 24mm (15/16")

Fm AK74 SAIGA 22mm (55/64")



WG-Handguard

FOREND/GAS TUBE COVER

Designed for any AK model excluding those with milled receiver. Field disassembly as the original. The 6-slot M-LOK slots provides a wide option of accessories. It is compatible with original belt loop and cleaning rod. Minor fitting may be required due to tolerances among different versions.



buttstocks interfaces:

All the following items may be installed without any firearm modification:

ADAPTOR FOR FIXED STOCK (VSP)

MTK®'s aluminum fixed stock adaptor is compatible with all Russian mil-spec stamped receivers. Minor fitting may be required for non-standard (non RU mil-spec) versions. Allen key and screws are provided.



VSP INSERT ALUMINUM INSERT FOR VSP.

Allows for quick stock changes, providing a firm and tenacious lock. Stocks with this adapter may be fixed or collapsible type. When combined with the FSS insert, it also adds the foldable function.



FOLDABLE STOCK SYSTEM (FSS)

Our revolutionary foldable stock system FS is MTK®'s "crown jewel". This system allows the installation of a foldable stock on a regular fixed stock AK and SVD. It's extremely narrow, only 5/8" (15mm) thick and it may be easily operated with just one finger. It does not get stuck and it's extremely durable (locking section is not less than the original RU system). CNC machined from solid steel. It allows the stock to fold 180°. Allen key and screws are provided.



LH FOLDABLE (STANDARD RU)

CNC made in solid steel it applies on RU and KR (Kalashnikov USA) versions and any other model with similar system. Made in solid steel. Pin is not provided.





WOODEN SOLID STOCK

Made from top quality walnut, entirely CNC machined from a solid block, hand-finished and oil coated with our special process. It's much more durable than the original stock. It's a bit longer and thicker than the original, to provide for better ergonomics and comfort during shooting without armor. Does not have the room for the cleaning kit. Available only in natural color.



LH Foldable 5.5mm pin (standard RU) **MTK-WSTK2-F**

VSP Fixed stock adapter **MTK-WSTK2-V**

FSS Foldable stock system adapter **MTK-WSTK2-FS**

WOODEN SKELETON:

Made from top quality walnut, entirely CNC machined from a solid block, hand-finished and oil coated using our special process. This is our original innovative design inspired by the metal triangle stock, it's much lighter than the Wooden Solid stock. It's available in natural color and tactical black.



LH Foldable 5.5mm pin (standard RU) **MTK-SKSTK**

Fixed Stock Adaptor (VSP) **MTK-VSPFS-SS**

FSS Foldable stock system adapter **MTK-VSPFSS-SS**



AR15-STYLE STOCK CNC BUFFER TUBE

This buffer tube is CNC machined from a solid aluminum block, which makes it much more durable than the standard buffer tube. It cannot be used for AR15.



LH Foldable 5.5mm pin (standard RU) **MTK-M4-FOLD**
Fixed Stock Adaptor (VSP) **MTK-M4**
FSS Foldable stock system adapter **MTK-M4-FS**

AR15 BUFFER TUBE ADAPTER



connect to: FSS Foldable stock system adapter **MTK-VSPFS-M4**

ULTRA LIGHT STOCK:

Designed to be extremely light and to improve comfort and aiming for shooters not wearing body armor, it is also dedicated to shooters with long arms (height 5'11" +) or in case of using a scope. The stock is CNC machined from a solid aluminum block, which makes it extremely durable.



LH Foldable 5.5mm pin (standard RU) **MTK-UL-FOLD-WP**
Fixed Stock Adaptor (VSP) **MTK-UL**
FSS Foldable stock system adapter **MTK-UL-FS**



AK GRIP



AK grip natural walnut color: **MTK-GRIP-AK-1**



AK grip tactical black: **MTK-GRIP-AK-2**

CNC machined from select walnut blocks, available in natural color or in tactical black. Compatible with any AK model. Its shape is inspired by the 1911 pistol grip profile and provides terrific ergonomics. It uses the standard screw, but a more practical Allen key screw is provided.

Proudly 100% made in Italy.



HANDGUARDS



AK handguards in natural walnut color: **MTK-WHG-2.0**

AK handguards in tactical black: **MTK-WHG-2.0TB**

CNC machined from select walnut blocks, available in natural color or in tactical black. Unlike other handguards, these are ventilated to avoid over-heating in case of serious shooting as well as to drain dust and water. It accepts the standard cleaning rod. Minor fitting may be required due to the tolerances of various models. It is compatible with all Russian type AK models apart those with milled receivers

Proudly 100% made in Italy.



MOUNTS

Rear Sight Rail (RSR)

The simplest and cheapest solution to have a picatinny rail on your AK. It replaces the rear sight leaf but is zeroed in to a 100m range. Two lengths are available 3.3" (85mm) and 4.9" (125mm). Shorter for red dots, longer for small optics. It is extremely durable. Mount does not need any permanent modification. It fits all AK models.



REAR SIGHT RAIL 85

MTK-RSM-85

REAR SIGHT RAIL 125

MTK-RSM-125

Side Mount (DUSM)

Thanks to its special design, DUSM fits both AK (rear lock pin) and SVD (front lock pin) side mounts. Constructed from aerospace alloy and hard anodized it's resistant to heavy duty stress. It comes with 2 rails 2.5" (65mm) and 4.9" (125mm) for red dot or scope use. Coupling between mount and rails is guided to assure the perfect alignment even in case of frequent interchanges. It fits any AK and SVD mil-spec side mount.

MTK-MSM-AKSVD



Minimal (Min)

Extremely light and small side mount it is designed for red dot. Do not need to be removed for dust cover disassembling.

MTK-MIN-SM



Proudly 100% made in Italy.



MUZZLE BRAKE



MUZZLE BRAKE 2.0 AK 5,45
MTK-MB545-2



MUZZLE BRAKE 2.0 AK 7,62
MTK-MB762-2



It's a bit heavier than the original because it is designed to reduce recoil and muzzle rise thanks to its 3 lateral chambers and the three top holes. It is CNC machined from solid steel. Thread pitch is 24x1,5 RH. It's available for calibers: 5,45/.223 - 7,62/308.

Proudly 100% made in Italy.

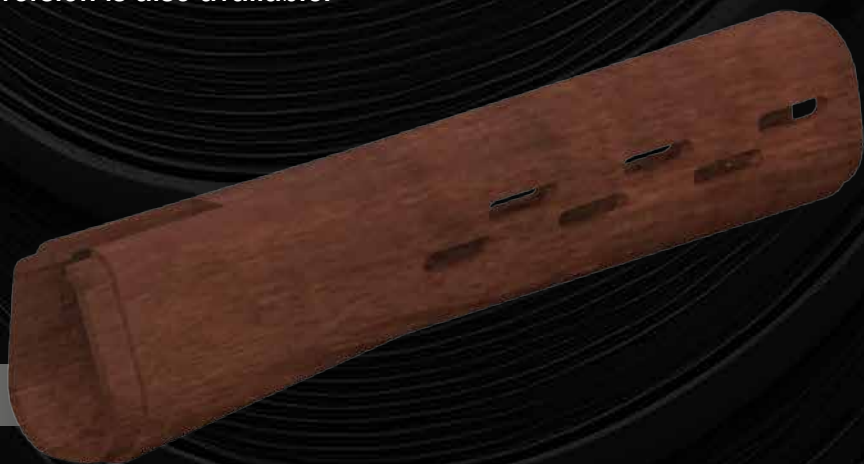


WOODEN FULLY ADJUSTABLE STOCK.

Inspired by the RPK stock, it provides an adjustable cheek rest, length, pad position and it also has the rear rise regulation screw. There is no other stock similar to this currently on the market and it has been greatly welcomed by professional shooters. We are extremely proud of this product which increasing comfort and shooting performance. CNC machined from solid walnut block, it's available in natural color and tactical black. Laminate version is also available.

MTK-SVDFS-ADJ

Proudly 100% made in Italy.



SVD WOODEN HANDGUARD

CNC machined from select walnut blocks, available in natural color or in tactical black. Multilayer version is also available. **MTK-SVD-WHG**

Proudly 100% made in Italy.



EXTENDED CHARGING LEVER AK

A market standard. Due to AK lever geometry, this system is quite common and used also for other firearms (i.e. Benelli/Beretta shotguns). We simply increased the thickness and the grain size to make it more slip resistant.

MTK-CH-B

Proudly 100% made in Italy.



ERGONOMIC CHARGING LEVER AK

This is our invention. It's an aluminum shell that goes over the standard AK charging handle and provides much better ergonomics (even with gloves). This solution is much more stable and does not move even after thousands of rounds. Due to the AK production tolerances, it's made to accommodate the smallest size AK charging handles, thus minor and easy fitting may be required. Allen key and screws are provided.

MTK-ECH2

Proudly 100% made in Italy.



SVD FOLDING STOCK

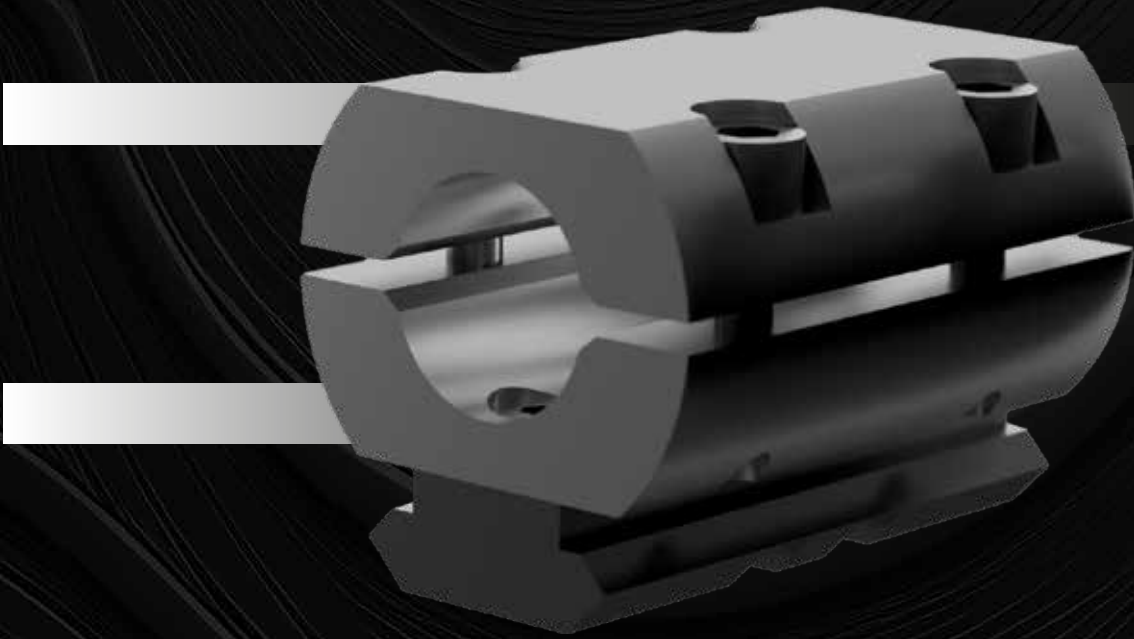
This SVD/Tigr adapter provides a significant ergonomic upgrade. This extremely innovative system, based on our FSS allows the replacement of the regular SVD stock with a foldable one with an AR15 type pistol grip with an angle precisely engineered to replicate the renowned 1911, ensuring exceptional comfort and control.



STANDARD AR15 FOLDABLE BUFFER TUBE

Side-folding M4/AR15 buffer tube adapter, enhancing the rifle's versatility and adaptability. MTK-SVDFS-M4

Proudly 100% made in Italy.



BARREL CLAMP - BC

It fits both AK and SVD, primarily designed to mount the bipods. On one side there is a picatinny rail while on the other side there is the thread 10/32 UNF 5/8" or 7/8" for the harris stud. It can be used also for laser aim or torch or other devices.

All made in solid alloys to limit the weight.

MTK-BC2S

Proudly 100% made in Italy.



SVD grip tactical black: **MTK-GRIP-SVD-2**



SVD grip natural walnut color: **MTK-GRIP-SVD-1**

SVD GRIP

CNC machined from select walnut blocks, available in natural color or in tactical black. Its shape is inspired by the 1911 pistol grip profile and provides terrific ergonomics. It's compatible with the AR15 but due to different ergonomics may not be suitable for regular use. It's better suited to be used in long range rifle models only. Laminate version is also available

Proudly 100% made in Italy.



SKS MUZZLE BRAKE ADAPTOR

This adapter for SKS Simonov rifles allows you to install 7.62 caliber muzzle brakes with a 24x1.5 RH thread. Carbonitrided for superior gas corrosion resistance, it easily mounts with just three screws, requiring no modifications to your SKS.

MTK-MB-SKS

Proudly 100% made in Italy.





M4/AR15 WOOD GRIP

CNC machined from select walnut block or laminate, available in natural color or in tactical black. Its shape is inspired by the 1911 pistol grip profile and provides much better ergonomics than the original one. Wood texture is much more comfortable and pleasing than plastic. Our exclusive serration is also available.

MTK-GRIP-M4-2

Proudly 100% made in Italy.



**IMPROVE YOUR 1911 STYLE
FULL SIZE AND COMMANDER
LUXURY AND STANDARD GRIPS**

Crafted from rare 150-year-old Quebracho Colorado, one of the world's hardest and most coveted woods. Its exceptional density makes it 30% heavier than water and twice as hard as ebony or ironwood, ensuring unparalleled durability and near-waterproof resilience. With proper care, these grips will last a lifetime. Each grip is CNC machined from select wood blocks and meticulously hand-polished to a mirror-like finish using progressively finer grits up to 2500, the same technique used to perfect the gloss on luxury automobiles. The result is a glass-smooth surface that exemplifies the wood's natural beauty. Also available in natural oil finish walnut(Grade 2+). Engraving options are available upon request.

Proudly 100% made in Italy.





1911 G10 GRIPS

CNC machined from solid billets of G10 and hand polished.

Available:

Full/compact size
Plain (polished or rough)
engraved (great grip), and taped for extreme use.

Proudly 100% made in Italy.





CZ SP01/SHADOW GRIPS

Precision CNC machined from solid G10 billets, these grips offer a superior durability and protect original aluminum grips from scrapes and scratches. G10 is ideal for heavy use, resisting extreme temperatures and providing exceptional comfort in any condition. Unlike aluminum, G10 does not transmit temperature, thus they are cold in summer and warm in winter. The 3M tape grip (red, blue and black) is available. Ideal for self-defense and competition when serious grip make the real difference. Engraving versions (without grip tape) are also available. Custom engraving is also possible for bulk orders.

Proudly 100% made in Italy.





AK MAGAZINES



.223 REM
MTK-M-223-30

5,45x39
MTK-M-545-30

7,62x39
MTK-M-762-30



Steel reinforcement cage



Steel rear tooth



Steel front tooth

Mil-spec production, made in high-grade polymer with internal steel frame. Front and back locking tabs are steel. Classic 30nds. They are available in the following calibers: .223 REM, 5,45x39 and 7.62x39.

AK MAG EXTENSION

Our exclusive device, available only for 5.45 and 223, it increases the magazine capacity by 10 rounds. No spring replacement is required. Very simple to install. No mag modification is required, so it can be taken easily and quickly removed. It is proprietary and works only with MTK® magazines.



MAGAZINE EXTENSION
MTK-ME-223-545-10